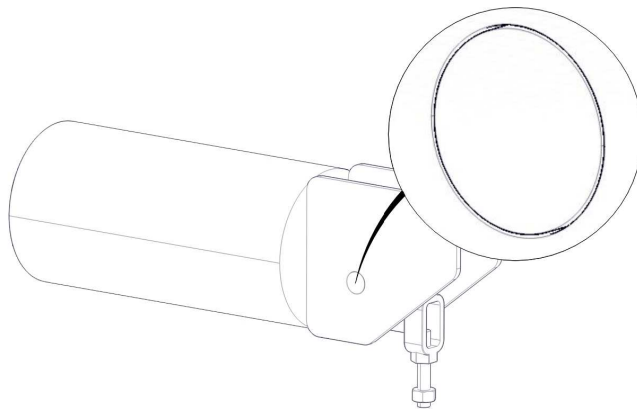




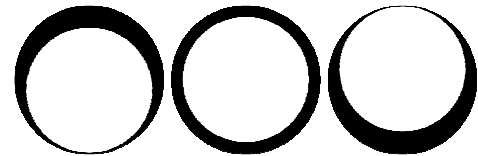
***UNLOCKING GUIDE FOR CONSTANT EFFORT SUPPORTS - TYPE HANGER***

Once all the accessories are assembled (clamp, forged eye nut, rods, forged clevis, lug...), you must follow the following instructions (after the hydraulic test is finished):

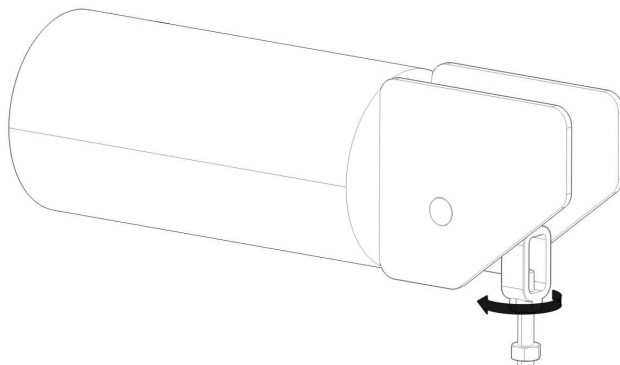
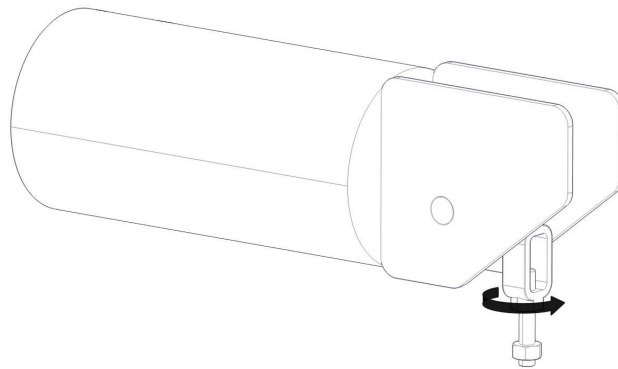
Firstly you must screw tightly the rod's check nuts against the lower element (forged eye nut, forged clevis....). If there are several rods assembled by rod couplings, you should screw the check nuts due to prevent the rotation of the rods during the settings.



Check the anchor pin. It can be leaning on the bottom face of the hole, on the upper face of the hole, or it can be placed in the middle of the hole.



If it is leaning on the bottom face of the hole, you must use the turnbuckle, unscrewing the rod.



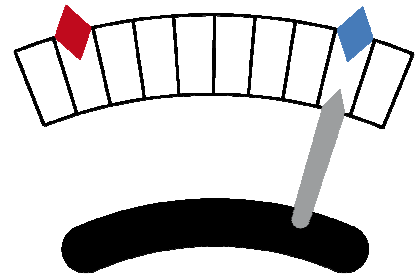
If it is leaning on the upper face of the hole, you must use the turnbuckle, screwing the rod.

0	09/04/12	INFORMATION	JCC	JMD
REV.	DATE	EDITED FOR	DRAW	CHECK

If you follow these instructions, you will be able to take the anchor pin off easily, using just your hands.

At the end, all the nuts and check nuts must be screwed, and all the threads must be lubricated.

If there are various spring supports in the same pipeline, you must unlock first those that bear the higher load. Once you unlock all the supports, you should check all the indicators, and if it is necessary, adjust them again.



:

0	09/04/12	INFORMATION	JCC	JMD
REV.	DATE	EDITED FOR	DRAW	CHECK