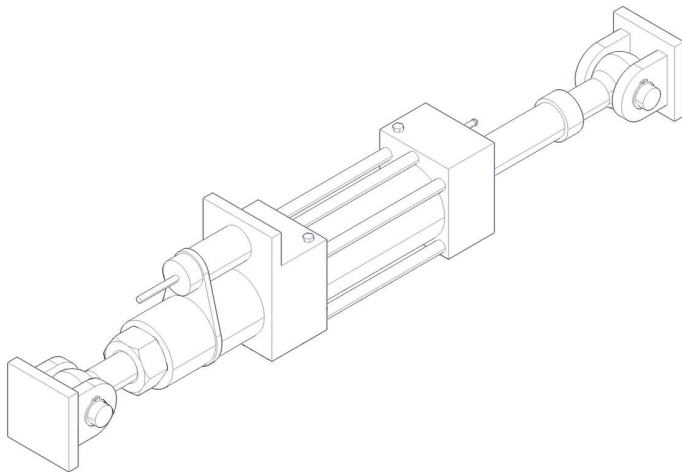


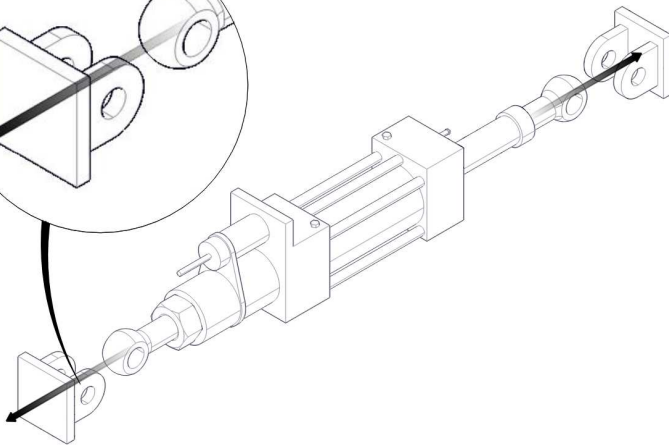
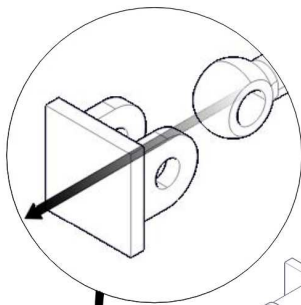
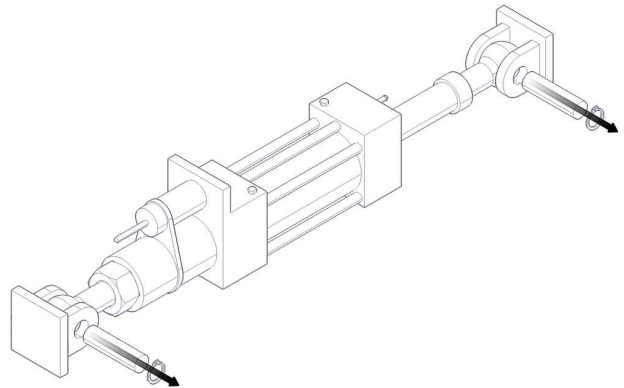


HYDRAULIC SHOCK ARRESTOR ASSEMBLY GUIDE



The hidraulic shock arrestor will be sent pre-assembled.

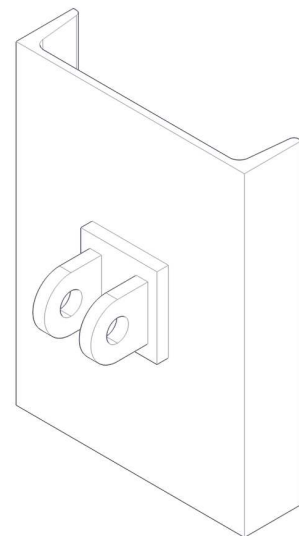
Remove the pins and the washers.



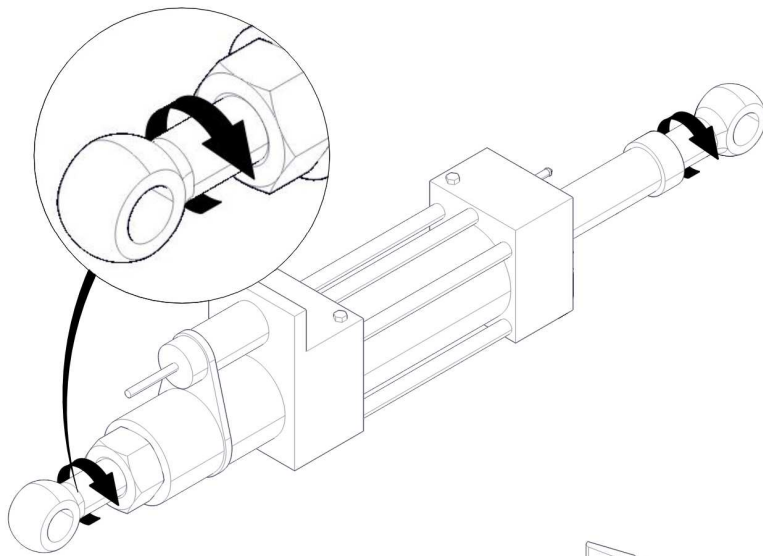
Take the beam attachments off.

Weld the beam attachments in the right place following the engineering drawings.

:

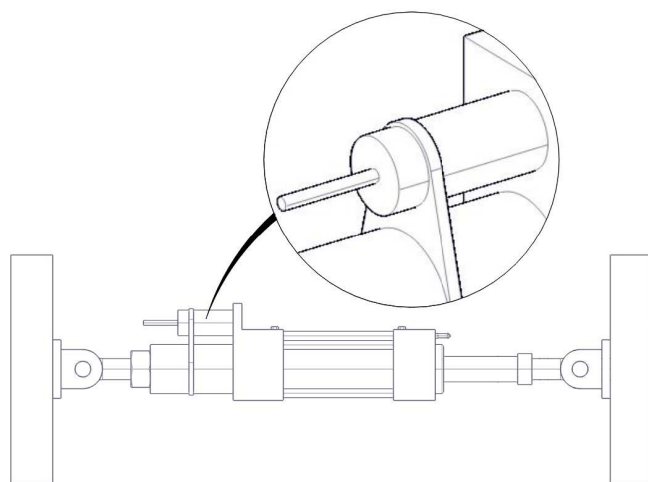
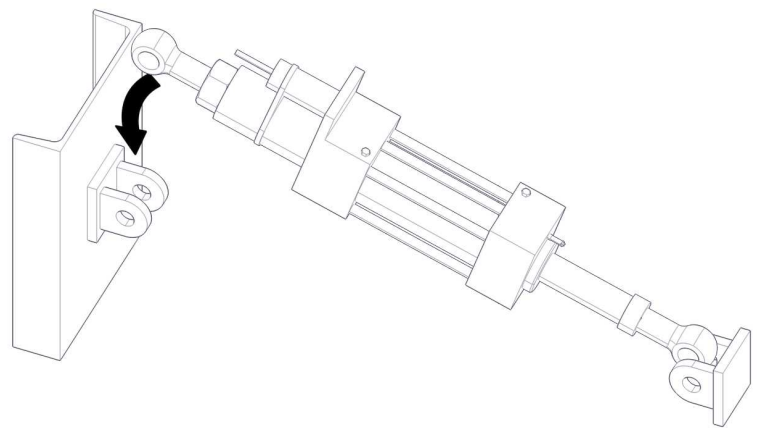


| | | | | |
|------|----------|-------------|------|-------|
| | | | | |
| 0 | 09/04/12 | INFORMATION | JCC | |
| REV. | DATE | EDITED FOR | DRAW | CHECK |



Check the distance between the welded beam attachment centres. If it is necessary, adjust the length using the rods.

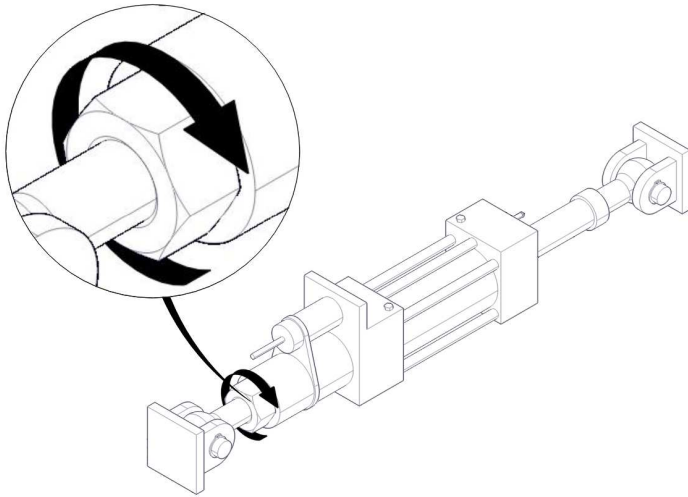
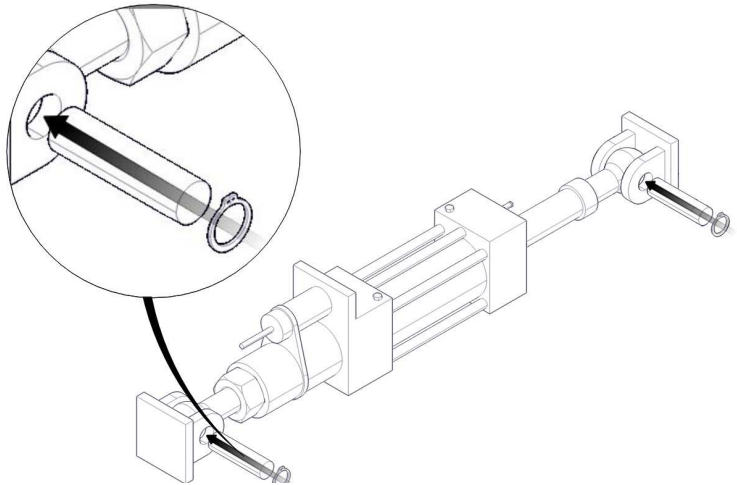
Put the hydraulic shock absorber in its place.



We recommend that you put the hydraulic shock absorber with the oil reservoir in the upper side.

| | | | | | |
|------|----------|-------------|------|-------|--|
| | | | | | |
| 0 | 09/04/12 | INFORMATION | JCC | | |
| REV. | DATE | EDITED FOR | DRAW | CHECK | |

Once the holes are concentric, insert the pins and washers.



Finally, screw tightly the check nut.

| | | | | | |
|------|----------|-------------|------|-------|--|
| | | | | | |
| 0 | 09/04/12 | INFORMATION | JCC | | |
| REV. | DATE | EDITED FOR | DRAW | CHECK | |